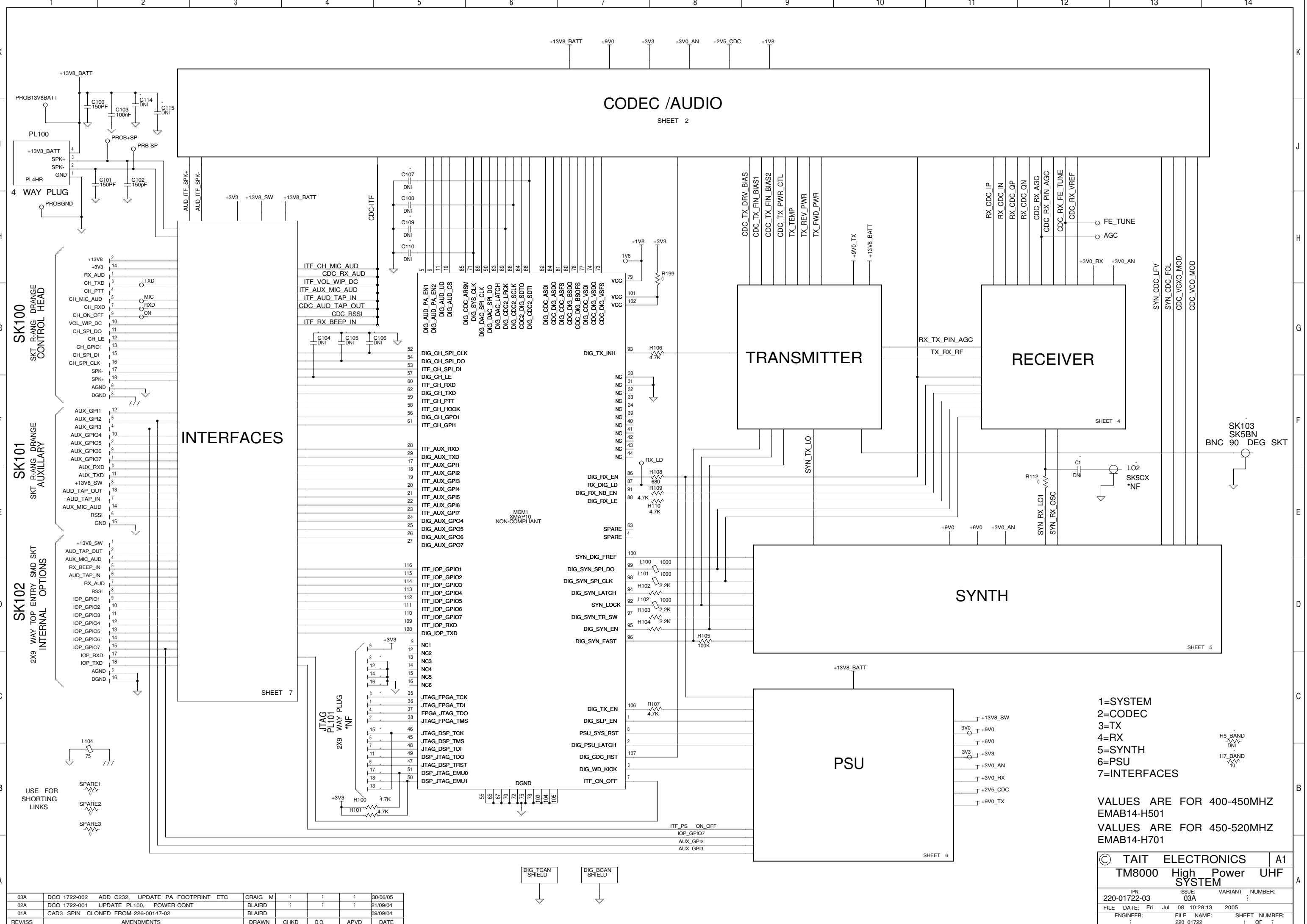


# CODEC /AUDIO

SHEET 2

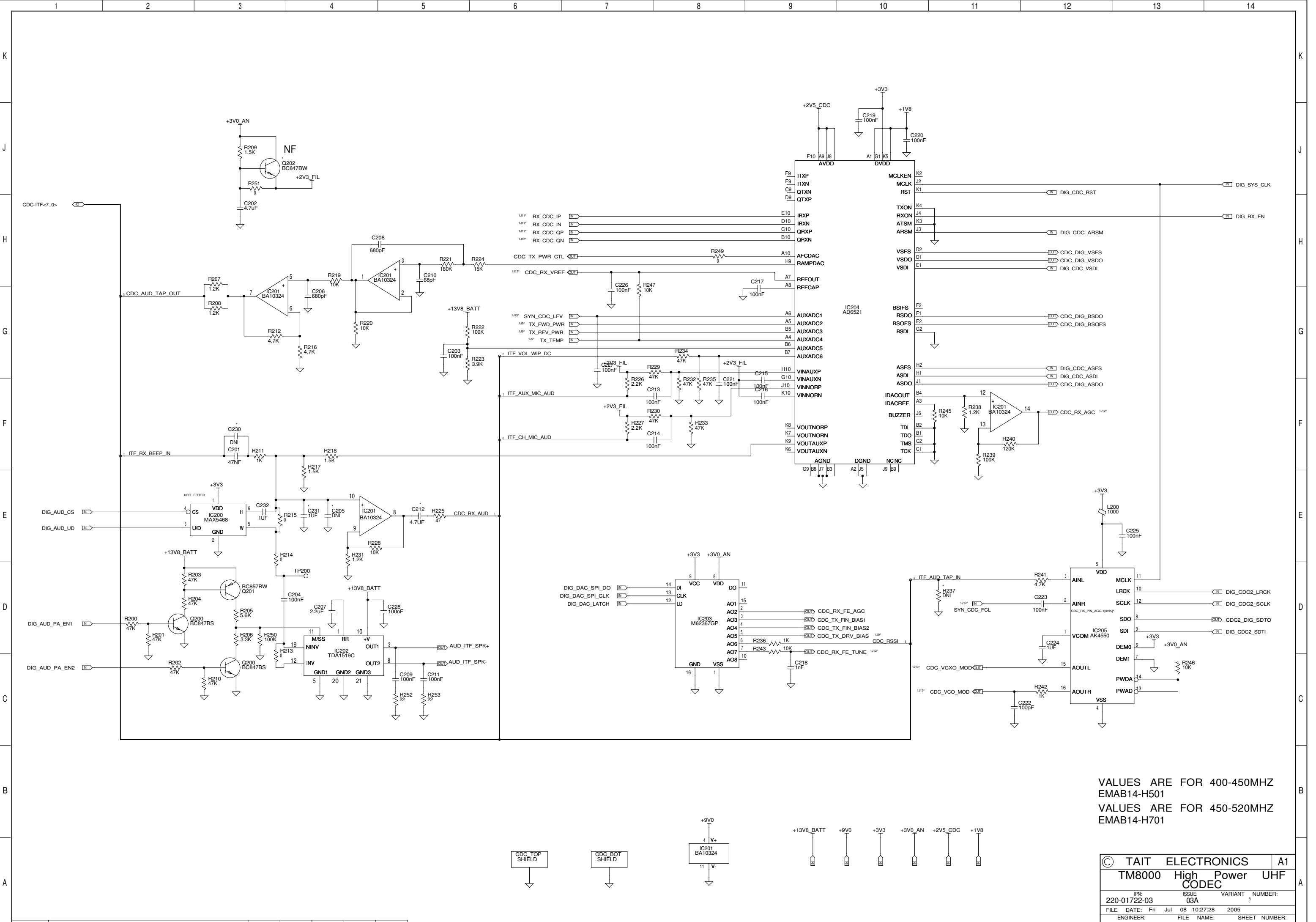


1=SYSTEM  
 2=CODEC  
 3=TX  
 4=RX  
 5=SYNTH  
 6=PSU  
 7=INTERFACES

VALUES ARE FOR 400-450MHZ  
 EMAB14-H501  
 VALUES ARE FOR 450-520MHZ  
 EMAB14-H701

© TAIT ELECTRONICS		A1
TM8000 High Power UHF SYSTEM		
IPN: 220-01722-03	ISSUE: 03A	VARIANT NUMBER: ?
FILE DATE: Fri Jul 08 10:28:13 2005	ENGINEER: ?	FILE NAME: 220_01722
REVI/ISS	AMENDMENTS	DRAWN CHKD D.O. APVD DATE

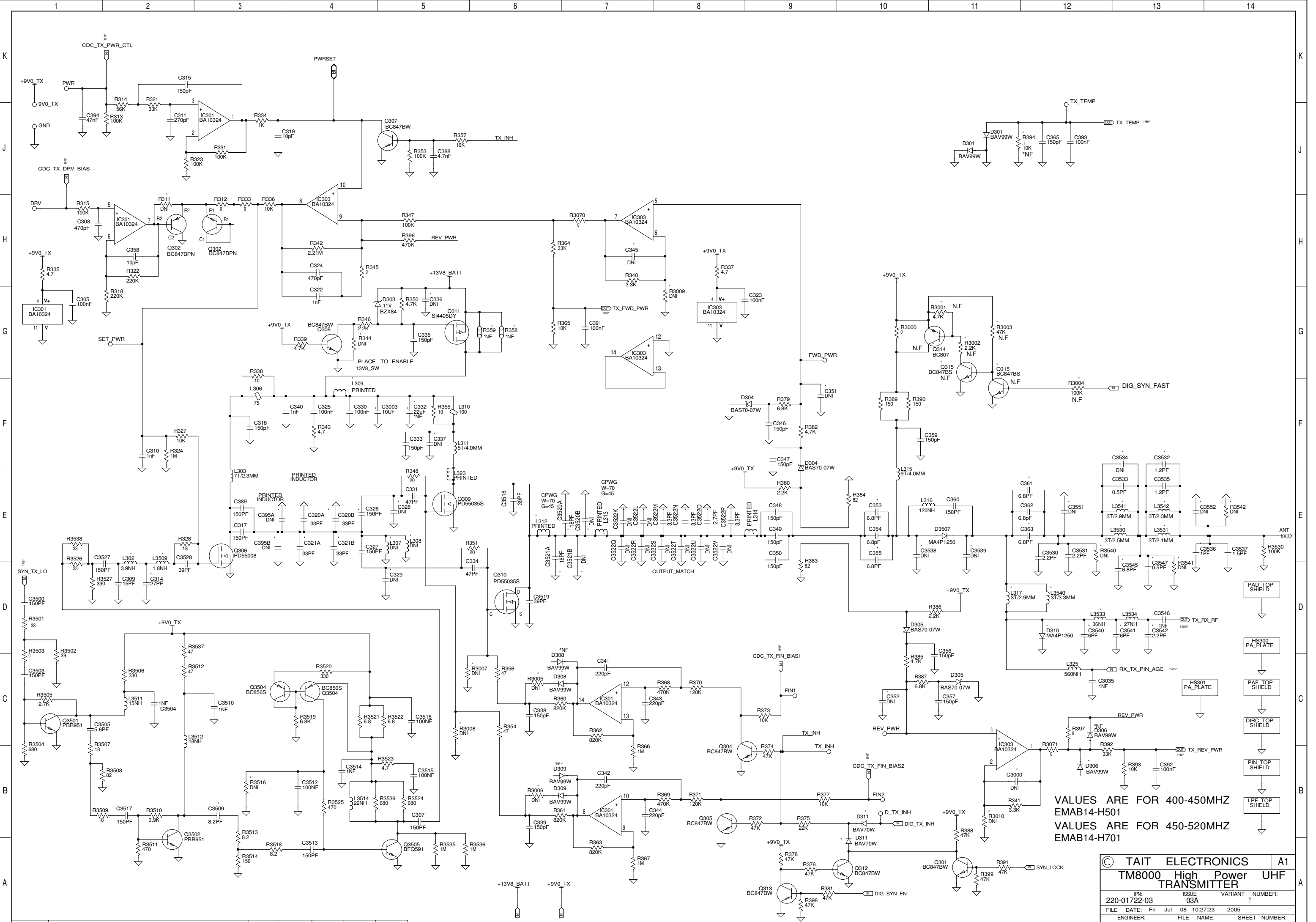
03A	DCO 1722-002	ADD C232, UPDATE PA FOOTPRINT ETC	CRAIG M	?	?	?	30/06/05
02A	DCO 1722-001	UPDATE PL100, POWER CONT	BLAIRD	?	?	?	21/09/04
01A	CAD3 SPIN	CLONED FROM 226-00147-02	BLAIRD				09/09/04
REVI/ISS	AMENDMENTS		DRAWN	CHKD	D.O.	APVD	DATE



VALUES ARE FOR 400-450MHZ  
EMAB14-H501  
VALUES ARE FOR 450-520MHZ  
EMAB14-H701

© TAIT ELECTRONICS			A1
TM8000 High Power UHF CODEC			
IPN: 220-01722-03	ISSUE: 03A	VARIANT: ?	NUMBER: ?
FILE DATE: Fri Jul 08 10:27:28 2005	ENGINEER: ?		FILE NAME: 220_01722
		SHEET NUMBER: 2 OF 7	

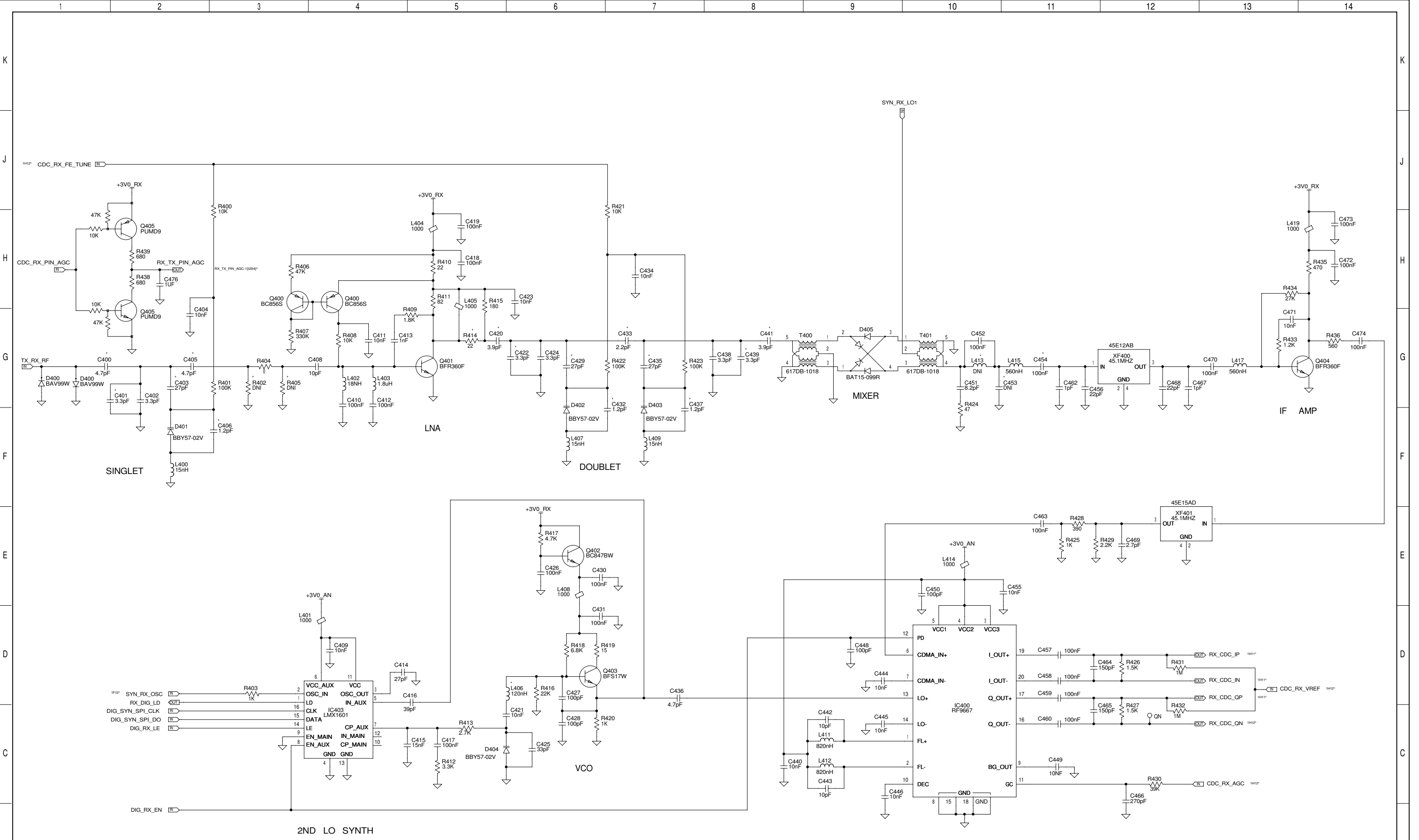
REV/ISS	AMENDMENTS	DRAWN	CHKD	D.O.	APVD	DATE
1						
2						
3						
4						
5						



VALUES ARE FOR 400-450MHZ  
EMAB14-H501  
VALUES ARE FOR 450-520MHZ  
EMAB14-H701

© TAIT ELECTRONICS		A1
TM8000 High Power UHF TRANSMITTER		
IPN: 220-01722-03	ISSUE: 03A	VARIANT NUMBER: ?
FILE DATE: Fri Jul 08 10:27:23 2005		
ENGINEER: ?	FILE NAME: 220_01722	SHEET NUMBER: 3 OF 7

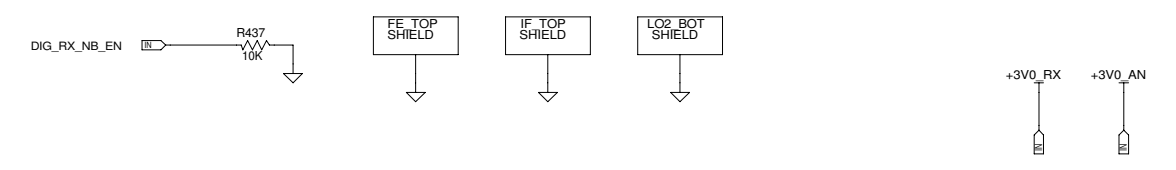
REV/ISS	AMENDMENTS	DRAWN	CHKD	D.O.	APVD	DATE
1						
2						
3						
4						
5						
6						
7						
8						
9						
10						
11						
12						
13						
14						

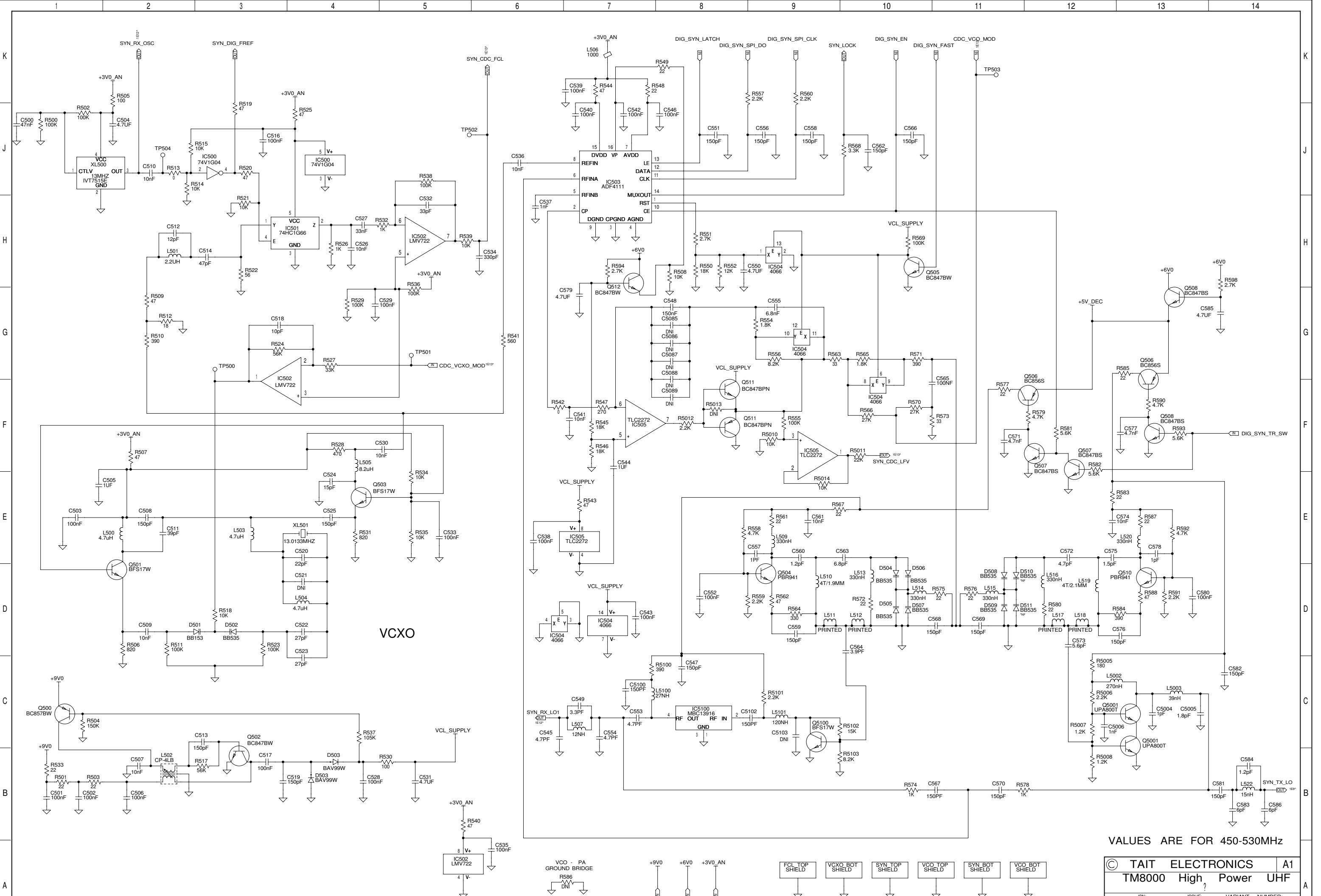


VALUES ARE FOR 400-450MHZ  
EMAB14-H501  
VALUES ARE FOR 450-520MHZ  
EMAB14-H701

© TAIT ELECTRONICS		A1
TM8000 High Power UHF RECEIVER		
IPN: 220-01722-03	ISSUE: 03A	VARIANT NUMBER: ?
FILE DATE: Fri Jul 08 10:27:25 2005	ENGINEER: ?	FILE NAME: 220_01722
		SHEET NUMBER: 4 OF 7

REV/ISS	AMENDMENTS	DRAWN	CHKD	D.O.	APVD	DATE
1						
2						
3						
4						
5						



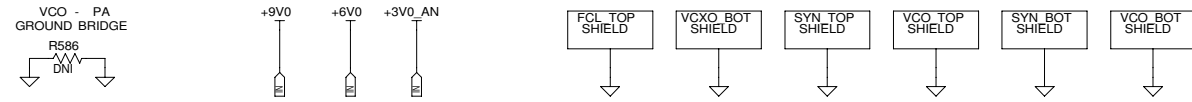


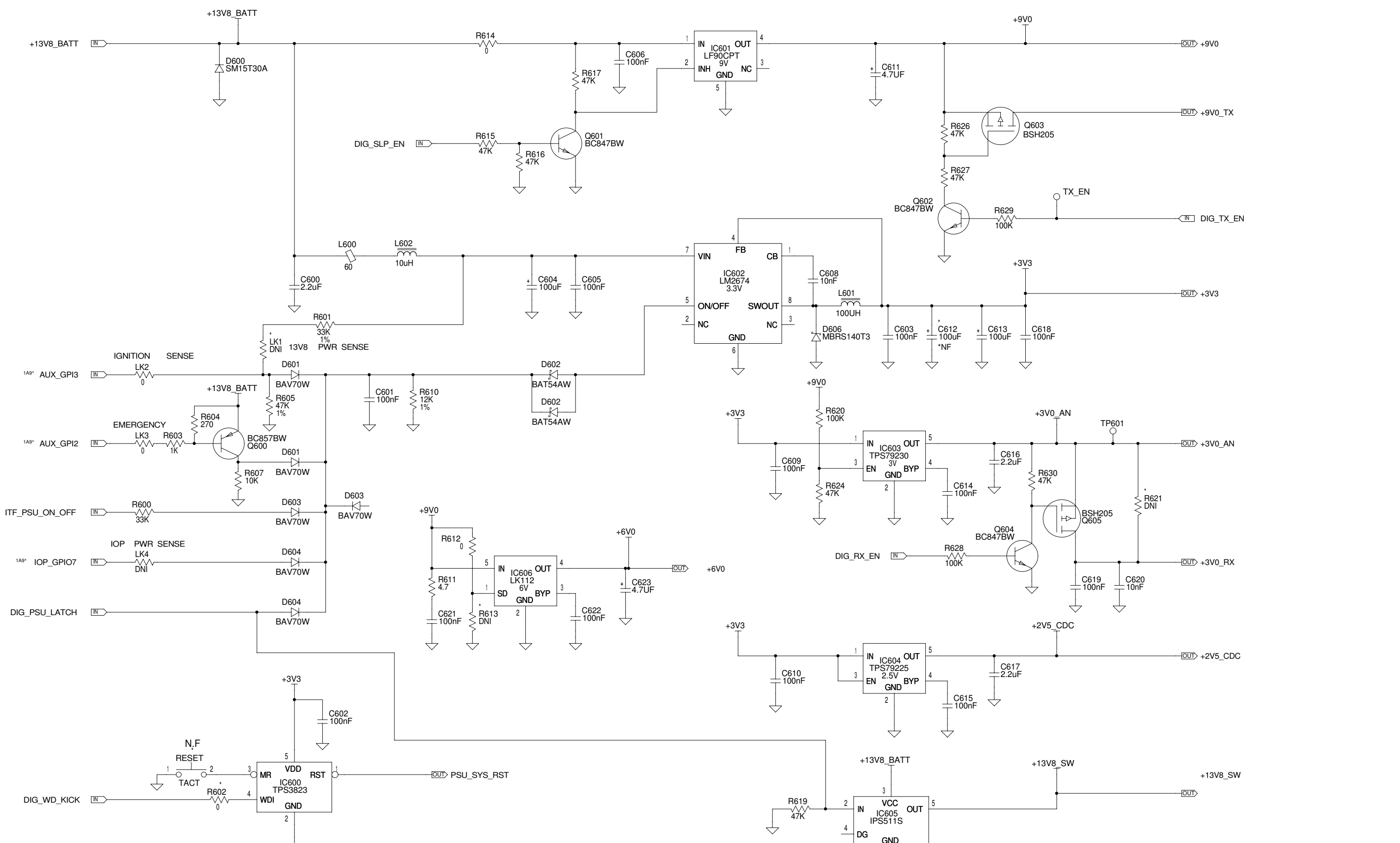
VCXO

VALUES ARE FOR 450-530MHz

© TAIT ELECTRONICS		A1
TM8000 High Power UHF		
IPN: 220-01722-03	ISSUE: 03A	VARIANT NUMBER: ?
FILE DATE: Fri Jul 08 10:27:14 2005	ENGINEER: ?	FILE NAME: 220_01722
		SHEET NUMBER: 5 OF 7

REV/ISS	AMENDMENTS	DRAWN	CHKD	D.O.	APVD	DATE
1						
2						
3						
4						
5						

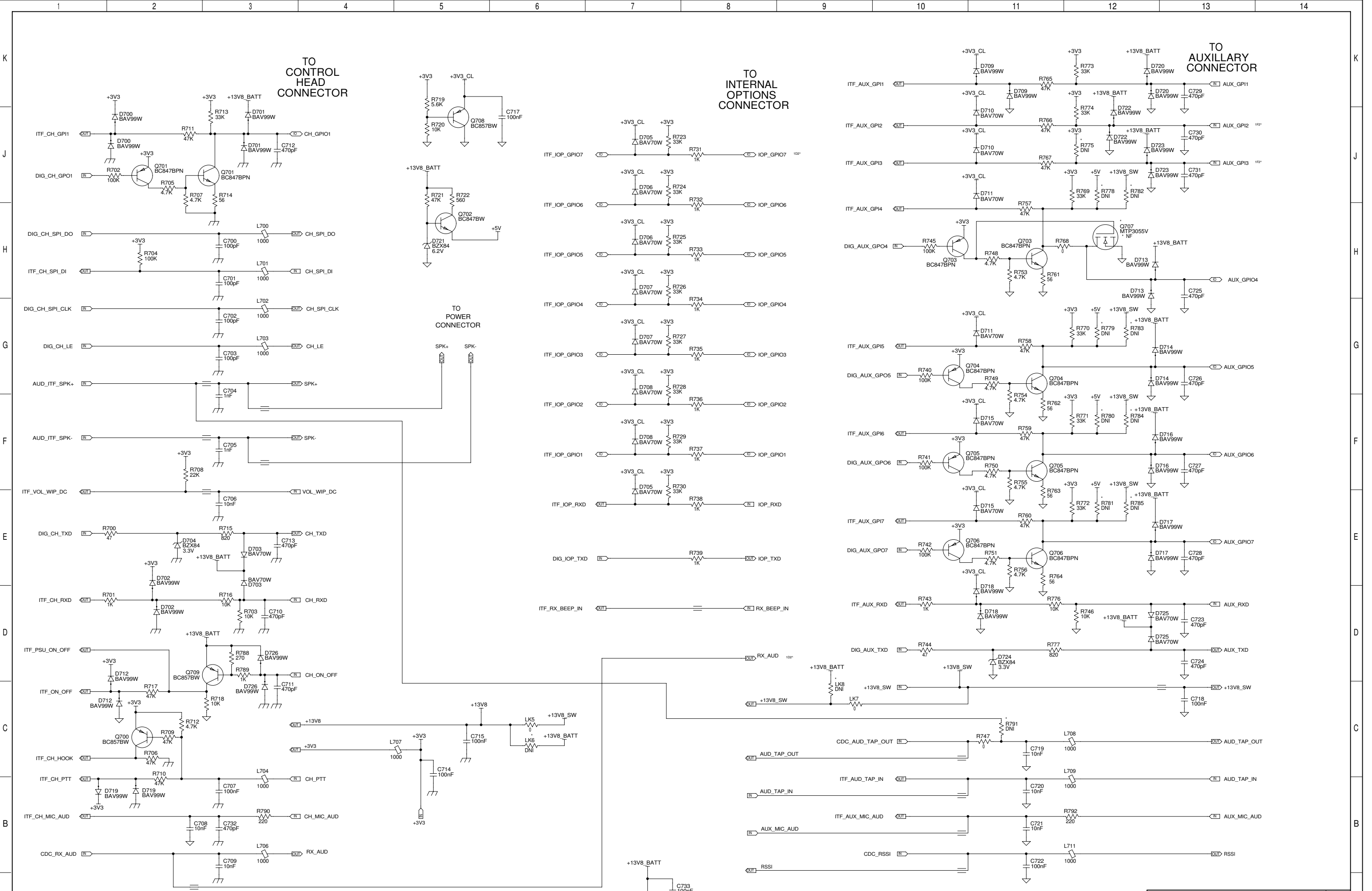




VALUES ARE FOR 400-450MHZ  
EMAB14-H501  
VALUES ARE FOR 450-520MHZ  
EMAB14-H701

© TAIT ELECTRONICS			A2
TM8000 High Power UHF PSU			
IPN:	ISSUE:	VARIANT NUMBER:	
220-01722-03	03A	?	
FILE DATE:	Fri Jul 08 10:27:16 2005		
ENGINEER:	FILE NAME:	SHEET NUMBER:	
?	220_01722	6 OF 7	

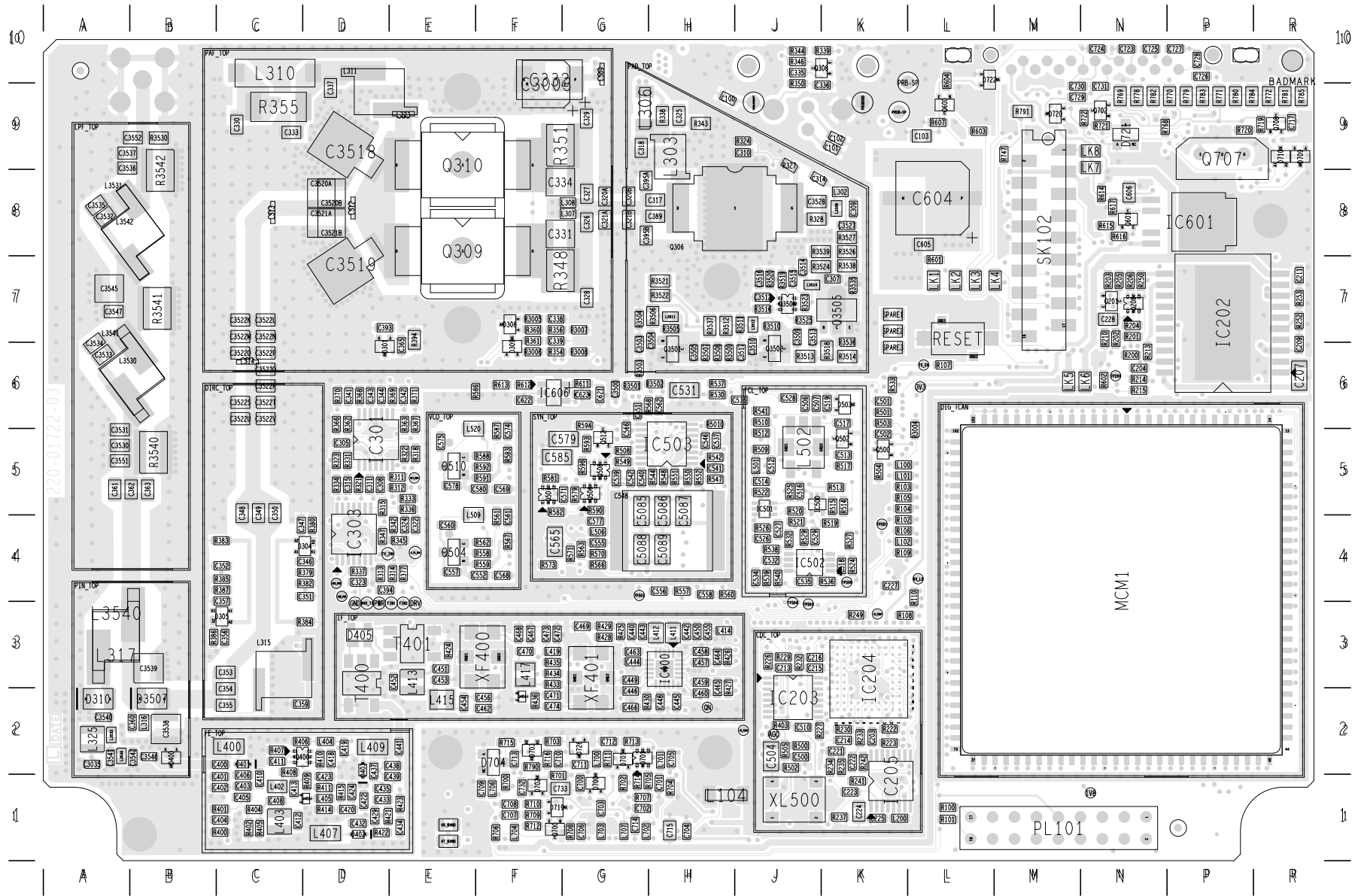
REV/ISS	AMENDMENTS	DRAWN	CHKD	D.O.	APVD	DATE
1	2	3	4	5	6	7



VALUES ARE FOR 400-450MHZ  
EMAB14-H501  
VALUES ARE FOR 450-520MHZ  
EMAB14-H701

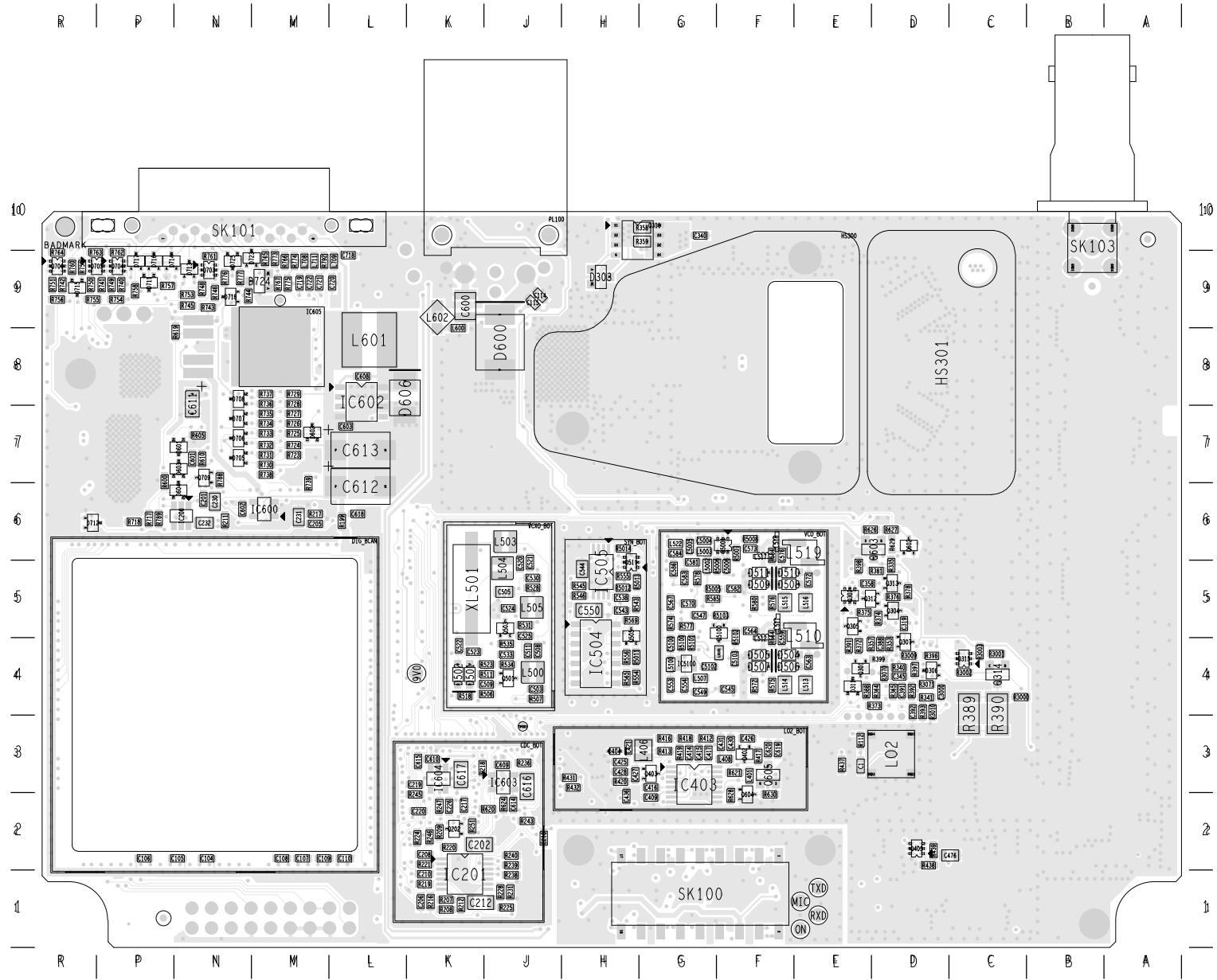
© TAIT ELECTRONICS		A1
TM8000 High Power UHF INTERFACES		
IPN: 220-01722-03	ISSUE: 03A	VARIANT NUMBER: ?
FILE DATE: Fri Jul 08 10:27:19 2005	ENGINEER: ?	FILE NAME: 220_01722
SHEET NUMBER: 7 OF 7		

REV/ISS	AMENDMENTS	DRAWN	CHKD	D.O.	APVD	DATE
1						
2						
3						
4						
5						
6						
7						
8						
9						
10						
11						
12						
13						
14						



TAIT ELECTRONICS      IPN: 220-01722-03      ISS: A      DATE: 8Ju105      SCALE: NTS  
 TM8000 UHF HIGH power mobile TM8000 40W 400-520MHz LAYOUT-PRIMARY-SIDE





TAIT ELECTRONICS	IPN: 220-01722-03	ISS: A	DATE: 8Jul05	SCALE: NTS
TM8000 UHF HIGH power mobile TM8000 40W 400-520MHz LAYOUT-SECONDARY-SIDE				